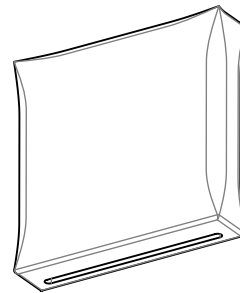
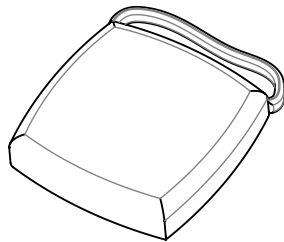
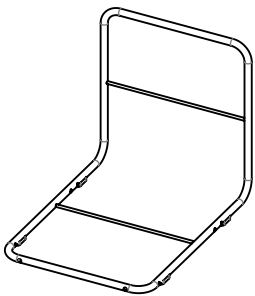


COMPONENTS

1. MODULE METAL STRUCTURE (x1)

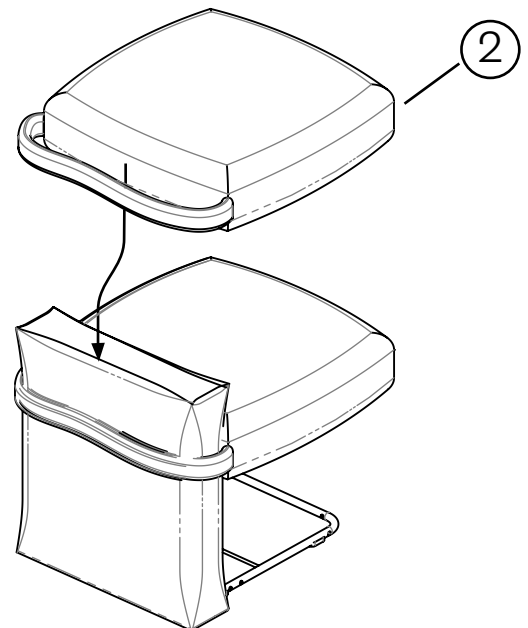
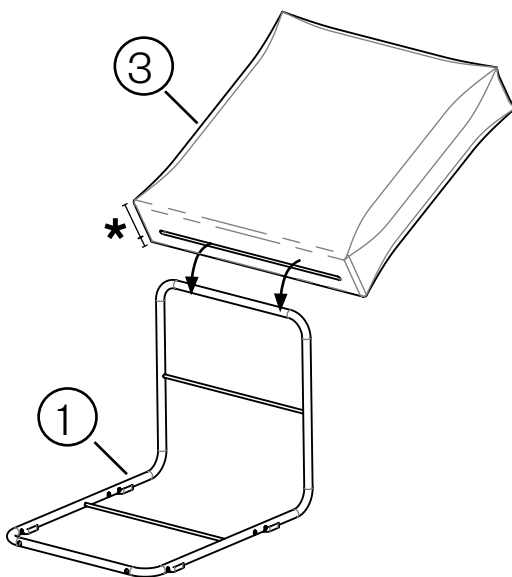
2. CENTRAL SEAT CUSHION (x2)

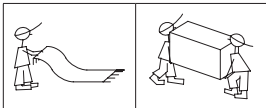
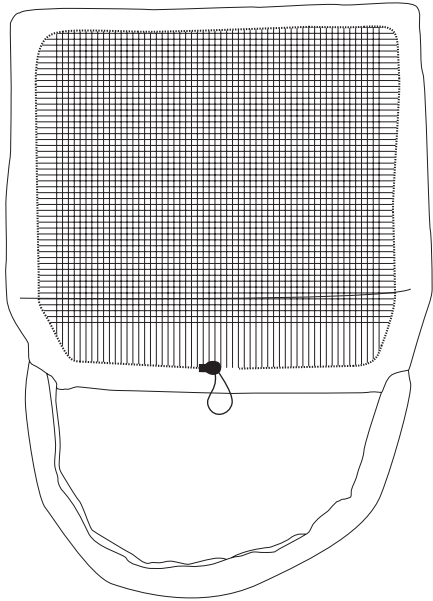
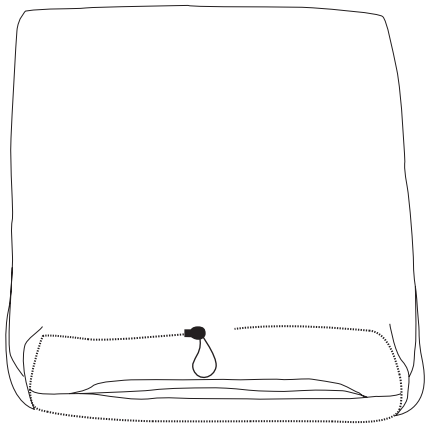
3. BACKREST & ARMS CUSHION (x1)



1. Cover the metal structure with the backrest and arm cushion .
*IMPORTANT: THICKER PART SHOULD FACE FRONT.

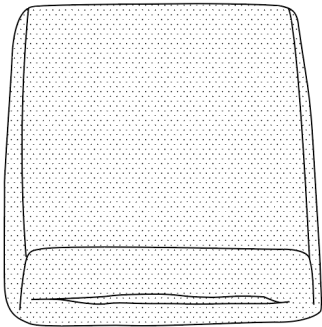
3. Place the seat cushions with the strips wrapping the backrest and arm cushion.



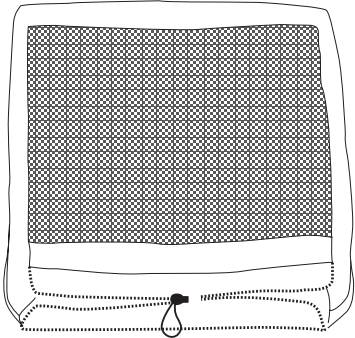


COMPONENTS

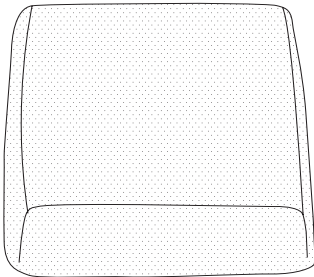
1. BACKREST CUSHION



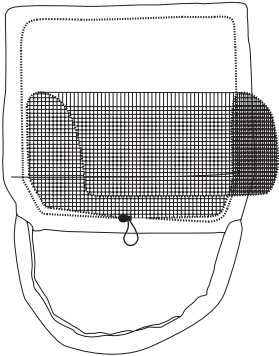
2. BACKREST SLEEVE



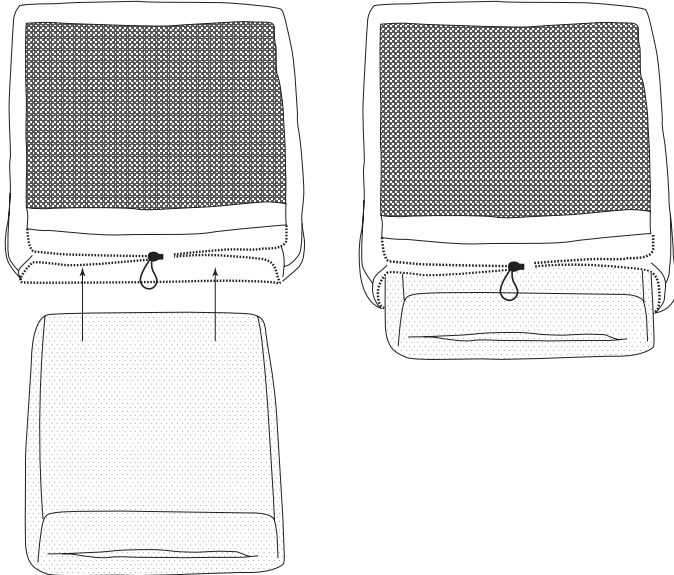
3. SEAT CUSHION



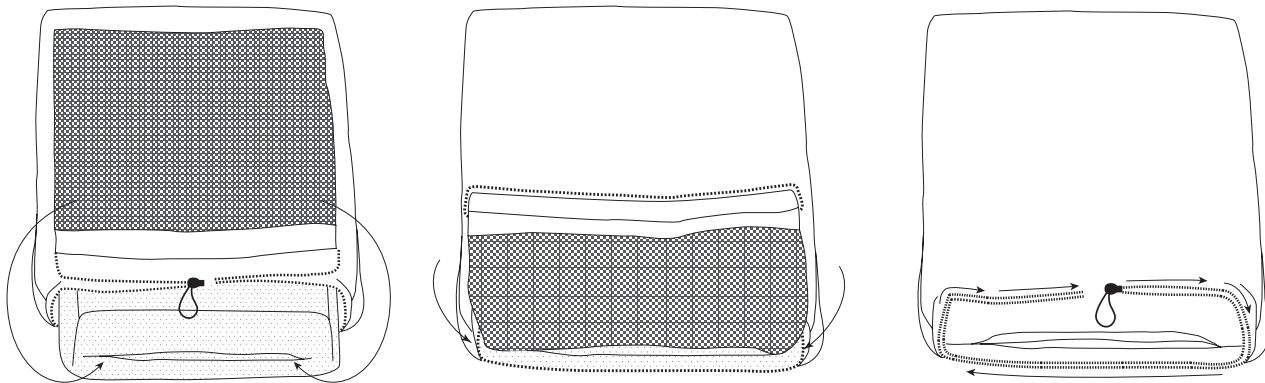
4. SEAT SLEEVE



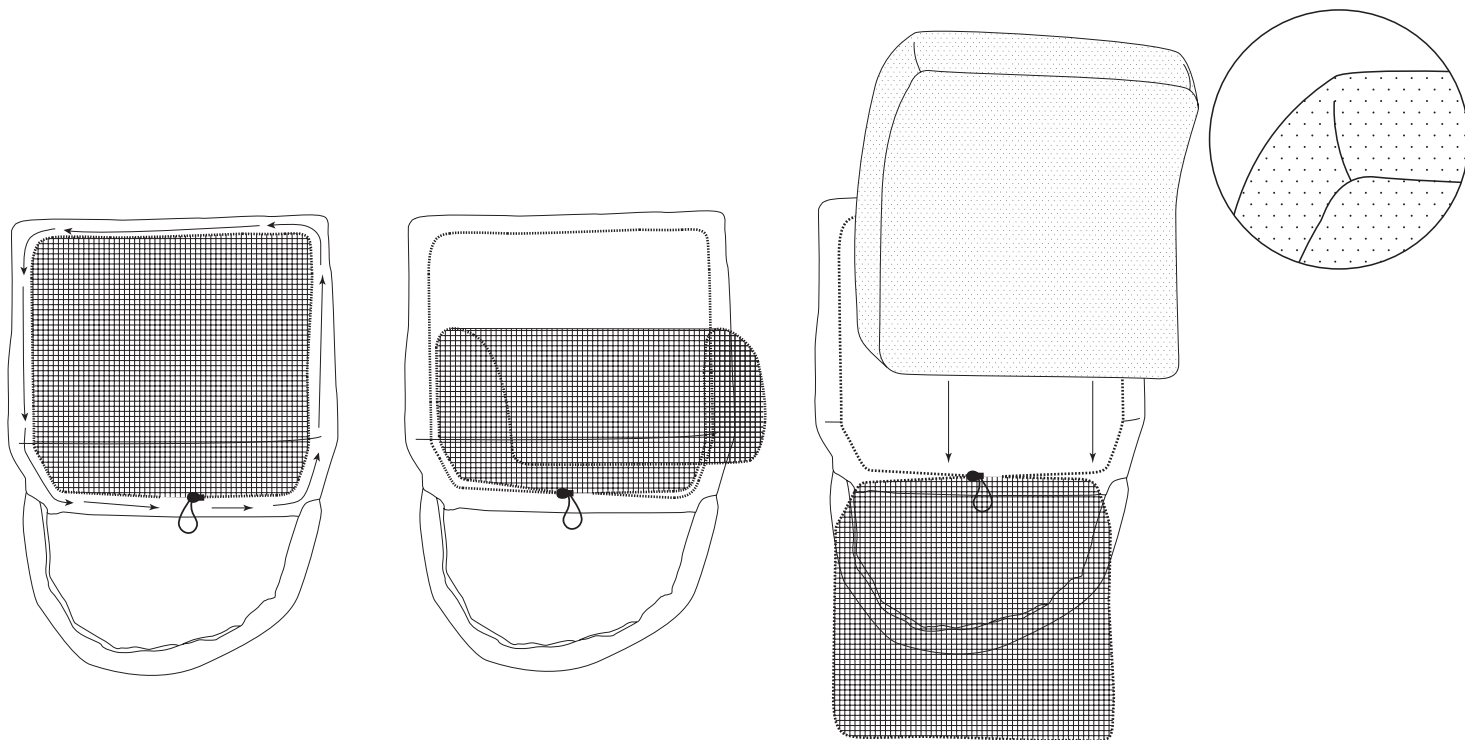
1. BACKREST: Place the cushion into the sleeve with the zipper totally open. Once covered, the cut part of the cushion should be facing out. Zipper should be on the thicker side of the cut face



2. BACKREST: Insert the remaining dark sleeve in the cushion cut and zip the zipper.



1. SEAT: unzip the sleeve completely and place the cushion into it. Cushion stitching should be facing up.



2. SEAT: once the cushion is completely in, zip the zipper.

